

Kidde Fire Systems Natura™ Inert Gas System Component Description



Effective: April 2022
K-38-2140 Rev AD

3/4 in. Manifold Check Valve

FEATURES

- For Approvals, see the “COMPATIBILITY” table.
- REACH and RoHS compliant

DESCRIPTION

Use the 3/4 in. Manifold Check Valve (P/N 38-4000002-002) between the discharge hose and the manifold.

Note: The Kidde Fire Systems pre-fabricated manifolds come with manifold check valves installed in each stub.

SPECIFICATIONS

Working Pressure: 307 bar at 50°C

Test Pressure: 555 bar

Min. Flow Area: 14mm DIA.

Body Material: Brass, CuZn39Pb3 (EN12168-CW614N)

Plunger Material: Ertacetal C (Pom-C)

Weight: 0.28 kg (0.6 lbs)

Temp Range:

FM Approved / UL Listed: -4° to 130°F (-20° to 54°C)*

*Unless superseded by local/national standards

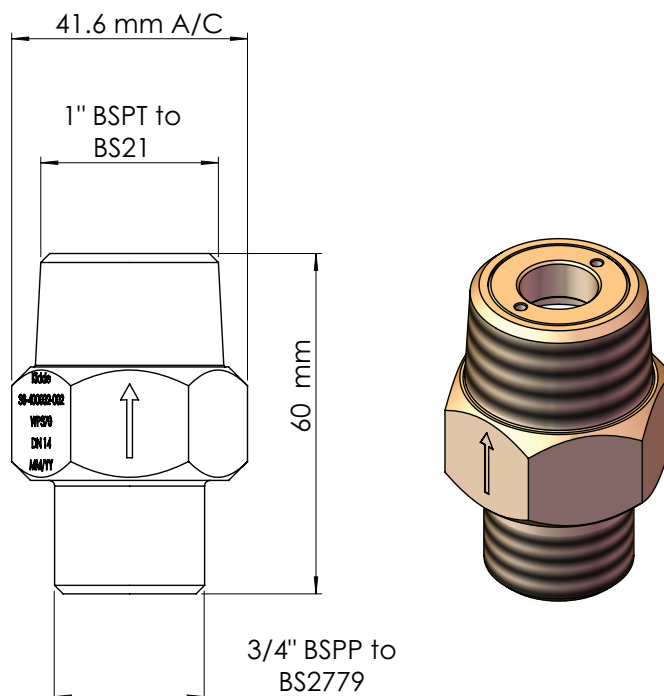
ORDERING INFORMATION

Part Number	Description
38-400002-002	3/4 in. BSP Manifold Check Valve

COMPATIBILITY

Series	DIOM P/N	Approvals *
Natura™ Inert Gas System	06-237619-001	FM, UL
Natura™ Inert Gas System	06-237598-001	LPCB

* For additional listings, contact Kidde Fire Systems



This literature is provided for informational purposes only. KIDDE-FENWAL, INC. believes this data to be accurate, but it is published and presented without any guarantee or warranty whatsoever. KIDDE-FENWAL, INC. assumes no responsibility for the product's suitability for a particular application. Product features specified are only applicable when the fire suppression system is correctly designed, installed, maintained and serviced by trained, authorized Kidde Fire Systems distributors as per the applicable design, installation, operation, and maintenance manuals. If you need more information on this product, or if you have a particular problem or question, contact: KIDDE-FENWAL, INC., Ashland, MA 01721 USA, Telephone: (508) 881-2000.

EXPORT INFORMATION (USA)

Jurisdiction: EAR

Classification: EAR99

This document contains technical data subject to the EAR.

All trademarks are property of their respective owners.

©2022 Carrier

Kidde Fire Systems
400 Main Street
Ashland, MA 01721
Ph: 508.881.2000
Fax: 508.881.8920
kiddefiresystems.com